



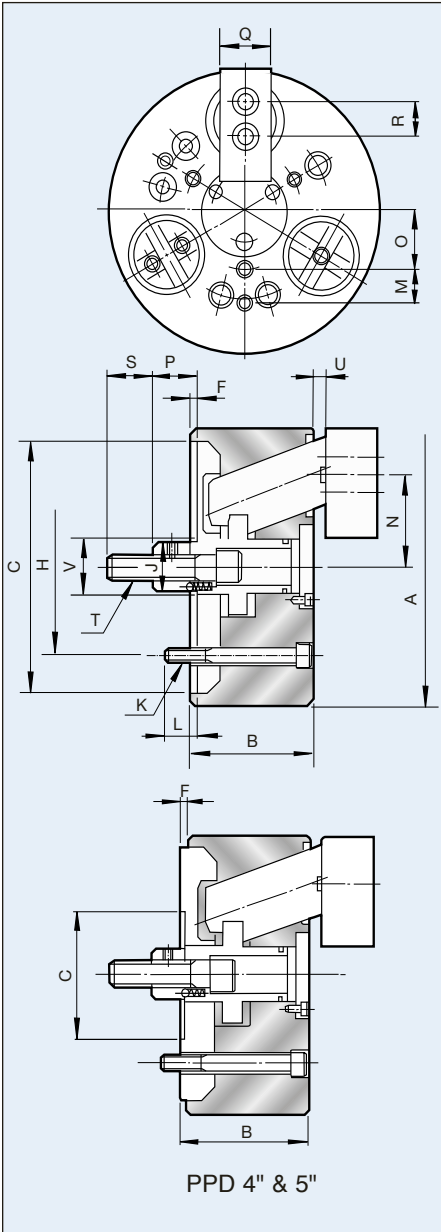
Atlas Workholding Draw Down Power Chuck

PDD 4" - 15" Chucks



- ⊕ 3 jaw draw down chuck for machining work requiring squareness and parallelism
- ⊕ High accuracy
- ⊕ Maintains high grip forces
- ⊕ Adapter mount for A type spindles, other mounts available

Power Chucks



Model No.	Jaw Stroke Dia.	Sleeve Stroke	Gripping Capacity		Draw Bar Pull lb/f	Grip Force lb/f	Max RPM	Wt. lbs
			Max.	Min.				
PDD4	.197"	.276"	1.97"	.591"	1,300	3,300	3500	10
PDD5	.197"	.276"	2.56"	.591"	2,200	4,400	3500	16
PDD6-A4	.285"	.394"	3.35"	1.378"	3,300	5,500	3500	30
PDD6-A5	.285"	.394"	3.35"	1.378"	3,300	5,500	3500	30
PDD6-A6	.285"	.394"	3.35"	1.378"	3,300	5,500	3500	30
PDD8-A5	.283"	.394"	7.87"	1.575"	5,500	9,900	3000	60
PDD8-A6	.283"	.394"	7.87"	1.575"	5,500	9,900	3000	60
PDD10-A6	.425"	.591"	9.84"	1.969"	7,700	13,200	2500	101
PDD10-A8	.425"	.591"	9.84"	1.969"	7,700	13,200	2500	101
PDD12-A8	.425"	.591"	11.81"	1.969"	9,900	16,550	2000	150
PDD12-A11	.425"	.591"	11.81"	1.969"	9,900	16,550	2000	150
PDD15-A8	.573"	.787"	14.96"	2.362"	12,100	19,850	1500	243
PDD15-A11	.573"	.787"	14.96"	2.362"	12,100	19,850	1500	243

Dimensional Data (in inch)

MODEL	PD-4	PD-5	PD-6	PD-8	PD-10	PD-12	PD-15
A	4.33	5.12	6.50	8.25	10	12	15
B	2.36	2.76	3.35	3.74	4.33	4.92	5.52
C	2.362	3.150	5.512	7.480	9.055	9.055	11.81
F	.197	.197	.197	.197	.197	.197	.315
H	3.150	3.937	4.125	5.250	6.750	6.750	9.055
J	.984	1.103	1.260	1.496	1.969	2.047	2.362
K	3-M8	3-M8	6-M10	6-M12	6-M16	6-M16	6-M20
L	.511	.511	.630	.906	.866	1.063	1.181
M	-	-	.787	.984	1.181	1.378	1.772
N max.	1.657	1.732	2.283	2.795	3.346	4.016	5.261
N min	1.358	1.634	2.142	2.654	3.134	3.803	4.975
O	.984	1.181	1.378	1.272	2.165	2.756	3.740
P max.	.748	.748	1.299	1.496	1.850	1.850	2.795
P min	.472	.472	.906	1.102	1.206	1.206	2.008
Q	.984	1.181	1.378	1.575	1.967	2.362	2.756
R	-	-	-	1.024	1.260	1.417	1.575
S	.787	.984	1.417	1.417	1.811	1.989	1.989
T	M10x1.5	M12x1.75	M16x2.0	M20x2.5	M20x3.0	M20x3.0	M30x3.5
U max.	.413	.413	.551	.551	.748	.748	1.024
U min	.138	.138	.155	.155	.155	.155	.236
V	1.102	1.181	1.378	1.654	2.047	2.165	3.543

HOW TO ORDER: State quantity, Model Number of chuck and shipping instructions.